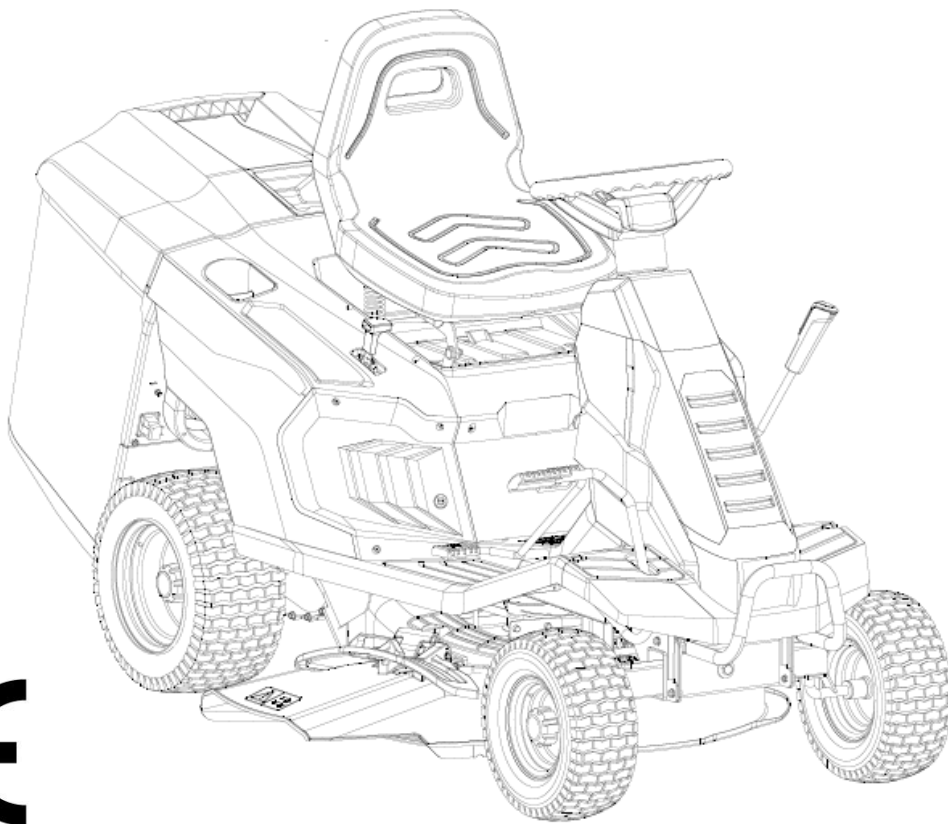


# COBRA

## COBRA GARDEN TRACTOR

### OWNER'S MANUAL

MODEL: LTX66HRL (T66)



**WARNING!**

When using the machine the safety rules must be followed. For your own safety and bystanders please read these instructions before operating the machine. Please keep the instructions safe for later use.

**Cobra Garden Machinery**

Henton and Chattell Ltd., London Road, Nottingham NG2 3HW UK

[www.cobragarden.co.uk](http://www.cobragarden.co.uk)

---

## INTRODUCTION

**Dear Customer,**

Thank you for choosing a Cobra garden machinery product.

This manual has been written to help you become familiar with the machine and use it safely and efficiently. Do not forget that it is an integral part of the machine, so keep it close at hand for future reference and pass it on to the purchaser if you sell the machine.

The garden tractor has been designed and built in compliance with current standards, and is safe and reliable when used for cutting and collecting grass following the instructions in this manual. Always follow the instructions to ensure safe operation. If you use the machine in any other way or ignore the instructions for safe use, maintenance and repair, it is considered "incorrect usage". In this case, the warranty is automatically voided and the manufacturer will not be held responsible for damage or injury to yourself or others.

We continuously improve our products and as such minor modifications may result in slight differences between your garden tractor and the instruction manual. Modifications can be made to the machine without notice and without the obligation to update the manual, although the essential safety and function characteristics will remain unaltered. If in doubt, do not hesitate to contact your dealer. And now enjoy your Cobra garden tractor.

### **AFTERSALES SERVICE**



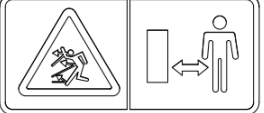
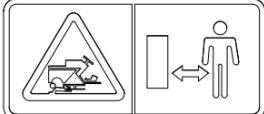

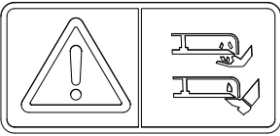
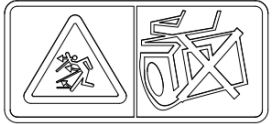
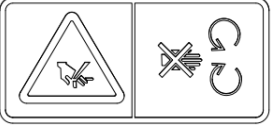
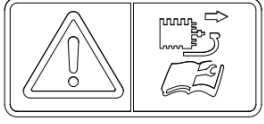
This manual gives all the necessary instructions for using the machine and carrying out basic maintenance.

**Any adjustments or maintenance operations not described in this manual must be carried out by your dealer or a specialised Service Centre. Both have the necessary knowledge and equipment to ensure that the work is done correctly without affecting the safety of the machine.**

This will help you keep your new purchase in peak performance and maintain its value over time.

For any replacement parts, contact your Cobra dealer.

## WARNING LABELS

	<p><b>ATTENTION</b> Read the instructions before use.</p>
	<p><b>ATTENTION</b> Remove the key and read the instructions before performing any maintenance or repair work.</p>
	<p><b>HAZARD OF EJECTING OBJECTS</b> Keep everyone away from the work area while the machine is in use.</p>
	<p><b>CRUSHING HAZARD</b> Make sure children are a safe distance away from the machine while the engine is running.</p>
	<p><b>RISK OF MACHINE ROLL-OVER</b> Do not use the machine on slopes exceeding 10°</p>
	<p><b>RISK OF CUTTING</b> The cutting device is in operation. Do not insert feet into the cutting device housing</p>
	<p><b>RISK OF EJECTING OBJECTS</b> Keep everyone away from the rear discharge while the machine is in use.</p>
	<p><b>RISK OF CUTTING</b> The cutting device is in operation. Do not insert hands into the cutting device housing</p>
	<p><b>ATTENTION</b> Remove the ignition and read the instructions before performing any maintenance or repair work.</p>

## 1. SAFETY

### 1.1 HOW TO READ THE MANUAL

Some paragraphs in the manual containing important information regarding safety and operation are emphasised in the following ways.

**NOTE** or

**IMPORTANT**

These give details or further information on what has already been said, in the aim to prevent damage to the machine.

**▲ WARNING!**

1. Non-observance will result in the risk of injury to oneself or others

2.

**▲ DANGER!**

3. Non-observance will result in the risk of serious injury or death to oneself or others

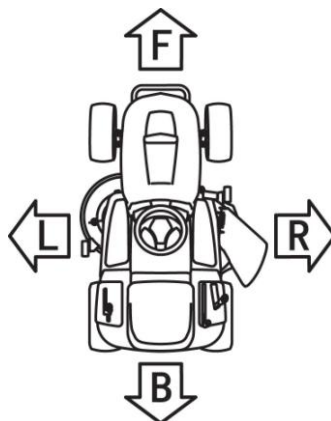
4.

**NOTE**

Positions refer such as “front”, “back”, “left” or “right” hand side, refer to forward travel direction.

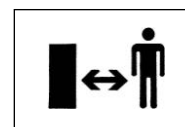
**IMPORTANT**

For all operations regarding the use and maintenance of the engine not described in this manual, refer to the relevant manuals which form an integral part of all the documentation supplied with the machine.



### 1.2 GENERAL SAFETY REGULATIONS

5. **▲ WARNING!** Read carefully before using the machine.



A) TRAINING - Read the instructions carefully.

6. Be familiar with the controls and how to use the equipment properly.

- Never let children or people unfamiliar with these instructions use the machine. Local regulations can restrict the age of the user.
- Never mow while people, especially children, or pets are nearby; Never mow while dark.
- Keep in mind that the operator or user is responsible for accidents or hazards occurring to other people or their property.
- Do not carry passengers.
- All drivers should seek and obtain professional and practical instruction. Such instruction should emphasise:
  - the need for care and concentration when working with ride-on machines;
  - you cannot use the brake to regain control of a ride-on machine sliding down a slope.

The main reasons for loss of control are:

- insufficient wheel grip;
- over-speeding;
- inadequate braking;
- the type of machine is unsuitable for its task;

- 
- unawareness of the effect of ground conditions, especially slopes;
  - incorrect hitching and load distribution

## B) PREPARATION



**While mowing, always wear sturdy footwear and long trousers.** Do not operate the equipment barefoot or wearing open sandals. Thoroughly inspect the area where the equipment is to be used and remove all objects which can be ejected from the machine, such as twigs, branches, stones, and other debris.



### **DANGER! Petrol is highly flammable:**

- store fuel in containers specifically designed for this purpose;
- refuel outdoors only and do not smoke while refueling;



**Add fuel before starting the engine. Never remove the cap of the fuel tank or add petrol while the engine is running or when the engine is hot;**



- if you spill petrol, do not start the engine and move the machine away from the area of spillage. Do not create any source of ignition until the petrol vapors have evaporated;
- put back and tighten all fuel tank and container caps securely.
- Replace faulty silencers.
- **Before use**, always inspect the machine to check that the blades, blade bolts and cutter assembly are not worn or damaged. Replace worn or damaged blades and bolts in sets to preserve balance.
- On multi-bladed machines, remember that the rotation of one blade can cause other blades to rotate.

**NOTICE! – Always check the engine oil is the correct level before starting. Check the engine manual for further details.**

## C) OPERATION



- 1) Do not start the engine in a confined space where dangerous carbon monoxide fumes can collect.
- 2) Mow only in daylight or good artificial light.
- 3) Before starting the engine, disengage the blades and shift into neutral.
- 4) Do not use the machine on slopes with longitudinal gradients of more than 15°(27%). Do not use the machine on slopes with lateral gradients above 10°(18%).
- 5) Remember there is no such thing as a “safe” slope. Travelling on grass slopes requires particular care.

To guard against overturning:

- do not stop or start suddenly when going up or downhill;
- engage the drive slowly and always keep the machine in gear, especially when travelling downhill;
- machine speeds should be kept low on slopes and during tight turns;
- stay alert for humps and hollows and other hidden hazards;
- never mow across the face of the slope.
- use care when pulling loads or using heavy equipment:
- use only approved drawbar hitch points;
- limit loads to those you can safely control;
- do not turn sharply. Use care when reversing;
- use counterweight(s) or wheel weights whenever advised in the instructions manual.

- 6) Stop the blades before crossing surfaces other than grass.
- 7) Never use the machine with damaged guards, or without the safety protective devices in place.
- 8) Do not change the engine governor settings or overspeed the engine. Operating the engine at excessive speed can increase the risk of personal injury.

- 
- 9) Before leaving the driving seat:
    - disengage the blades and lower the attachments;
    - go into neutral and apply the parking brake;
    - stop the engine and remove the ignition key.
  - 10) Disengage the blades, stop the engine and remove the ignition key:
    - before clearing blockages or unclogging the collector channel;
    - before cleaning, checking or servicing the machine;
    - after striking a foreign object. Inspect the machine for damage and make repairs before restarting and operating the machine;
    - If the machine starts to vibrate abnormally (check for the causes immediately).
  - 11) Disengage the blades for transport or whenever they are not in use.
  - 12) Stop the engine and disengage the blades:
    - before refueling;
    - before making height adjustments unless adjustment can be made from the operator's position.
  - 13) Reduce the throttle during engine run-out. If the engine is provided with a shut-off
  - 14) Cut off the fuel with the fuel valve when you have finished mowing.
  - 15) Watch out for traffic when crossing or near roadways.
  - 16) Never direct discharge of material towards bystanders nor allow anyone near the machine while in operation.

#### **D) MAINTENANCE AND STORAGE**

- 1) Keep all nuts, bolts and screws tight to be sure the equipment is in safe working condition.
- 2) Never store the equipment with petrol in the tank inside a building where fumes may reach an open flame or spark.
- 3) Allow the engine to cool before storing in any enclosure.
- 4) To reduce fire hazards, keep the engine, silencer, battery compartment and petrol storage area free of grass, leaves, or excessive grease.
- 5) Check the grass-catcher frequently for wear or deterioration.
- 6) Replace worn or damaged parts for safety purposes.
- 7) If the fuel tank has to be drained, this should be done outdoors.
- 8) On multi-bladed machines, remember that the rotation of one blade can cause other blades to rotate.
- 9) When the machine is to be parked, stored or left unattended, lower the cutting means unless a positive mechanical lock is used.

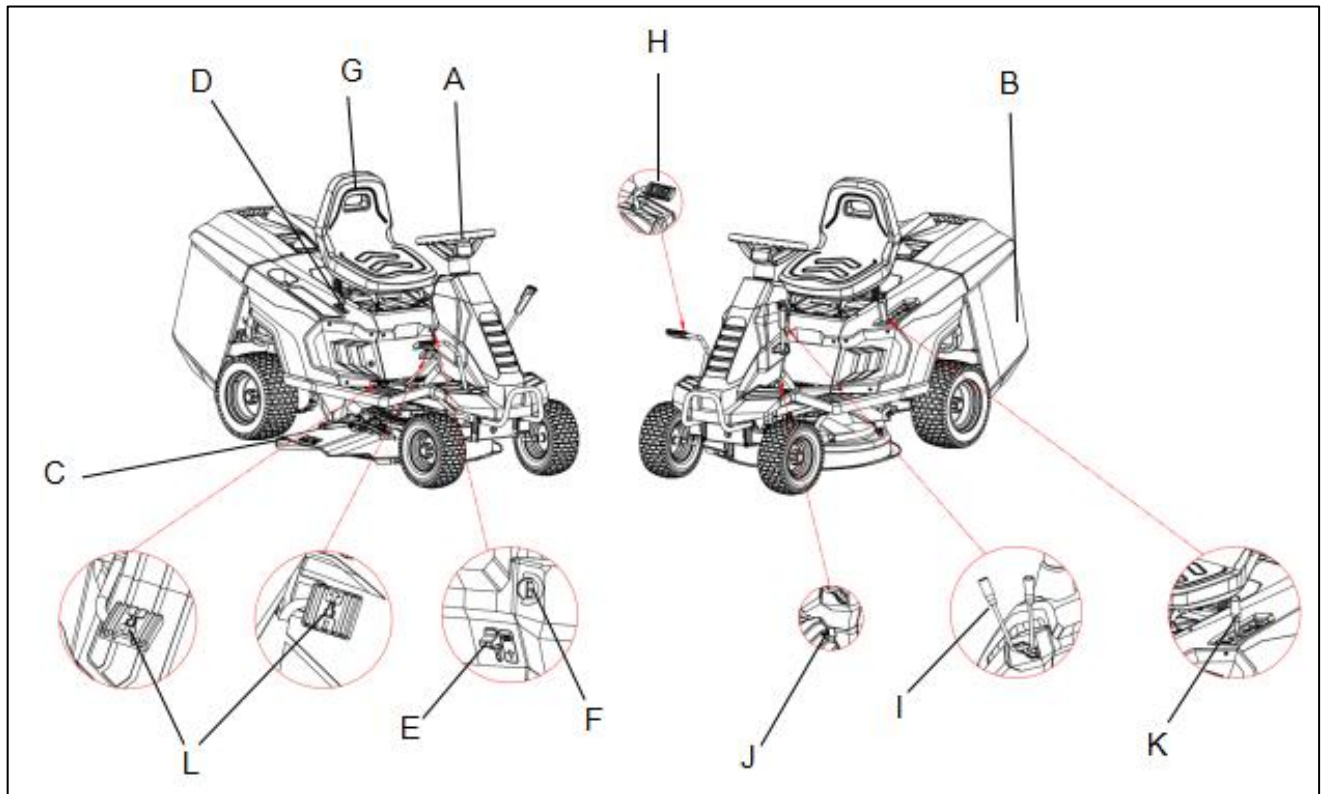
#### **1.3 SAFETY LABELS**

Your machine must be used with care. This is why labels with illustrations have been placed on the machine, to remind you of the main precautions to take during use. These labels are to be considered an integral part of the machine. Should a label come off or become illegible, contact your dealer to replace it. Their meaning is explained below.





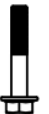


## 2. IDENTIFICATION OF THE MACHINE AND COMPONENTS

### IMPORTANT

The lawnmower must always be used with utmost caution. So that safety precautions and operating instructions are always readily on hand, labels have been affixed to the machine showing pictographs illustrating the main operating precautions. The labels, according to applicable safety standards, are considered an integral part of the machine, the user is therefore responsible for replacing them in the event they become detached or illegible.



A	Steering wheel	G	Seat
B	Grass bag	H	Brake pedal
C	Guide board	I	Blade clutch handle
D	Clutch handle	J	Cutting pedal when backward
E	Parking handle	K	Cutting height adjustment handle
F	Start key	L	Hydraulic foot pedal- forward & reverse

<p>Grass bag installation</p>	 <p>M6X25 C (X6)</p> <p>M6X12 D (X4)</p> <p>M6 E (X10)</p>
<p>Seat installation</p>	 <p>M8X18 F (X2)</p> <p>M8 L (X2)</p>
<p>Steering wheel installation</p>	 <p>M8X160 I (X1)</p> <p>8 H (X1)</p> <p>Ø8XØ30X2.5 G (X1)</p>
<p>REAR PLATE installation</p>	 <p>M6X12 D (X6)</p> <p>M6 E (X2)</p> <p>M8X25 M (X2)</p>
<p>Blade clutch handle installation</p>	 <p>M6X35 J (X1)</p>
<p>Bumper installation (optional)</p>	 <p>M8X20 Q (X4)</p> <p>M8 P (X4)</p>
<p>Other spareparts</p>	 <p>10A K (X1)</p>



### 3. SPECIFICATIONS

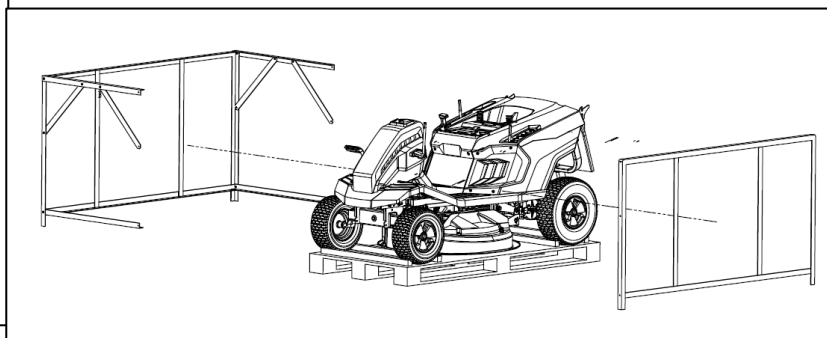
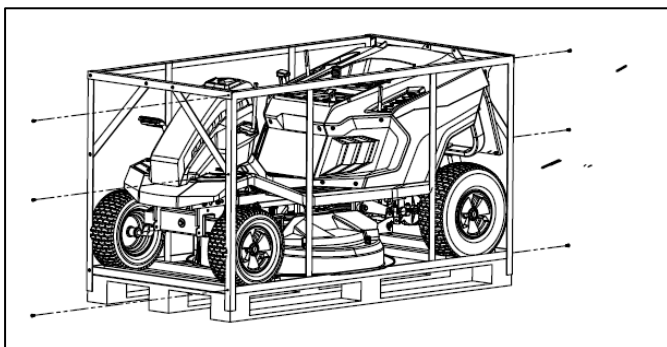
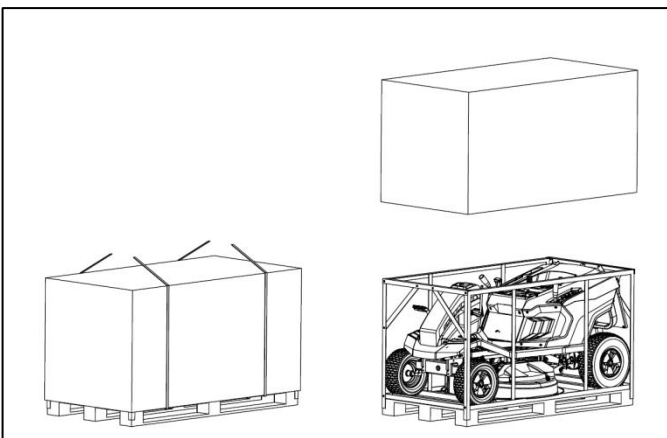
<b>Trex Model Name</b>	<b>LTX66HRL (T66)</b>
Power output, hp	6
Engine type	OHV
Engine manufacturer	Loncin
Cylinder displacement, cm <sup>3</sup>	224
Engine model	LC1P75F
Engine speed, rpm	2800
Spark plug	TORCH F7RTC
Fuel tank volume, l	2.5
Oil volume, l	0.5
Cutting width, cm	65
Cutting height min, mm	30
Cutting height max, mm	75
Grass collector capacity, l	150
Grass catcher type	Fabric
Height adjustment	6 position
Wheel size (front/rear), in	13/15
Side discharge	Yes
Electric start	Yes
Battery capacity / voltage, A * h / V	12V/7Ah
Variable speed(hydraulic type)	Forward: 0-6.12km/h
Net weight, kg	128
Gross weight, kg	150
Package dimensions, mm	1460X760X770

## 4. ASSEMBLY

**IMPORTANT** Unpacking and assembly operations should be carried out on a flat, stable surface with sufficient space for handling the machine and its packaging, using appropriate tools.

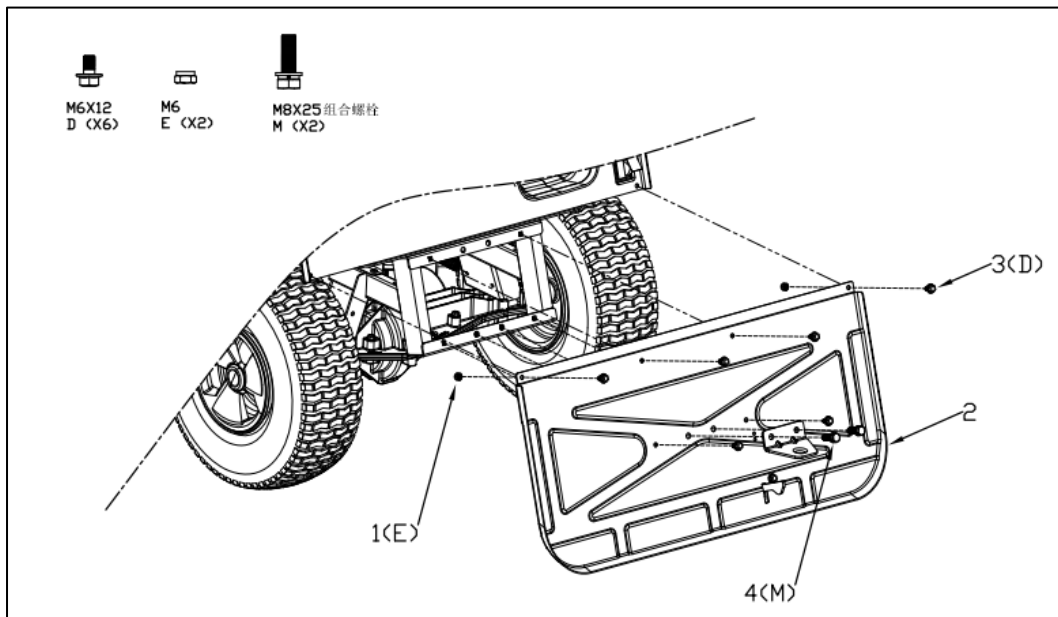
### 4.1 UNPACKING

1. Open the package carefully and do not lose components.
2. Check the documentation in the box, including these instructions.
3. Remove all parts from the box.
4. Take the following precautions to remove the machine from the packaging:
  - Move the machine assembly to its maximum height to prevent damage when the machine is lifted from the base tray;
  - Lift the machine off the base plate.

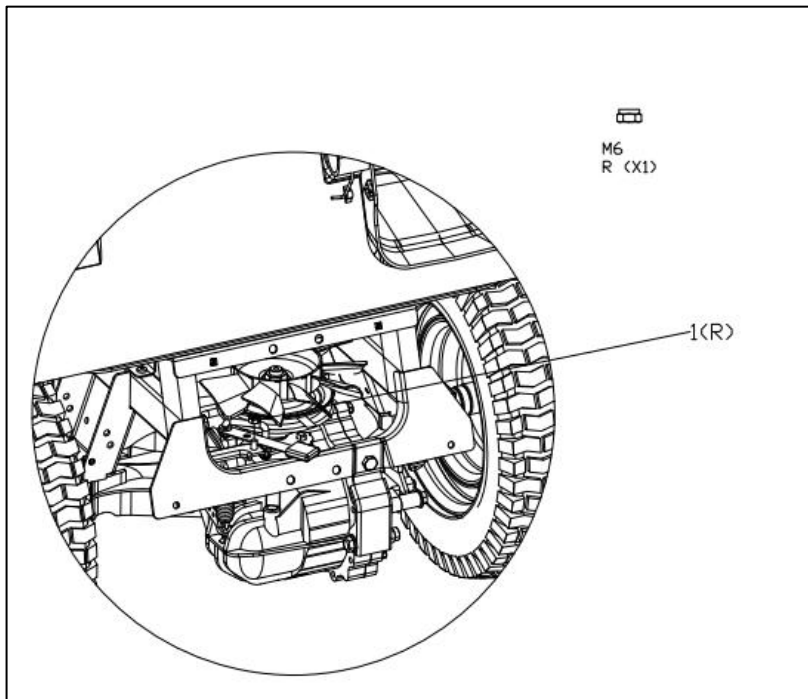


## 4.2 ASSEMBLY OF THE REAR PLATE

Align the plate holes with the holes on the back of the machine and tighten them with the nut(M6) and bolt (M6x12 & M8x25).

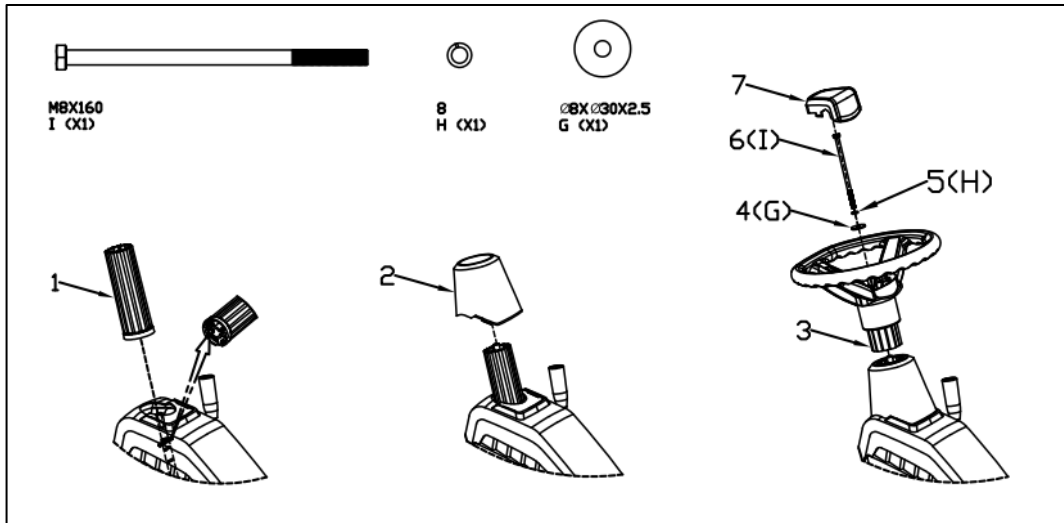


For the hydraulic model, fix the Gear paddles with nut(M6) as below pic.



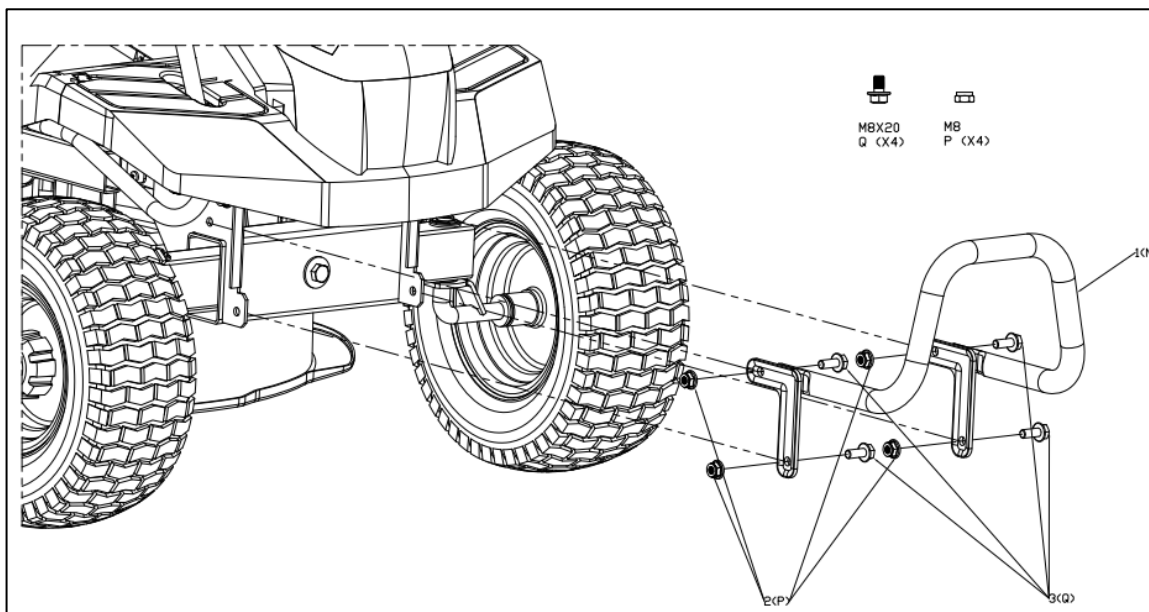
### 4.3 STEERING WHEEL INSTALLATION

First Insert the sleeve into the steering wheel shaft, as shown in Figure 1, then Insert the outer cover as shown in Figure 2, insert the steering wheel and fix by bolt(M8x160) and washer, install the decorative cover as shown in Figure 3.



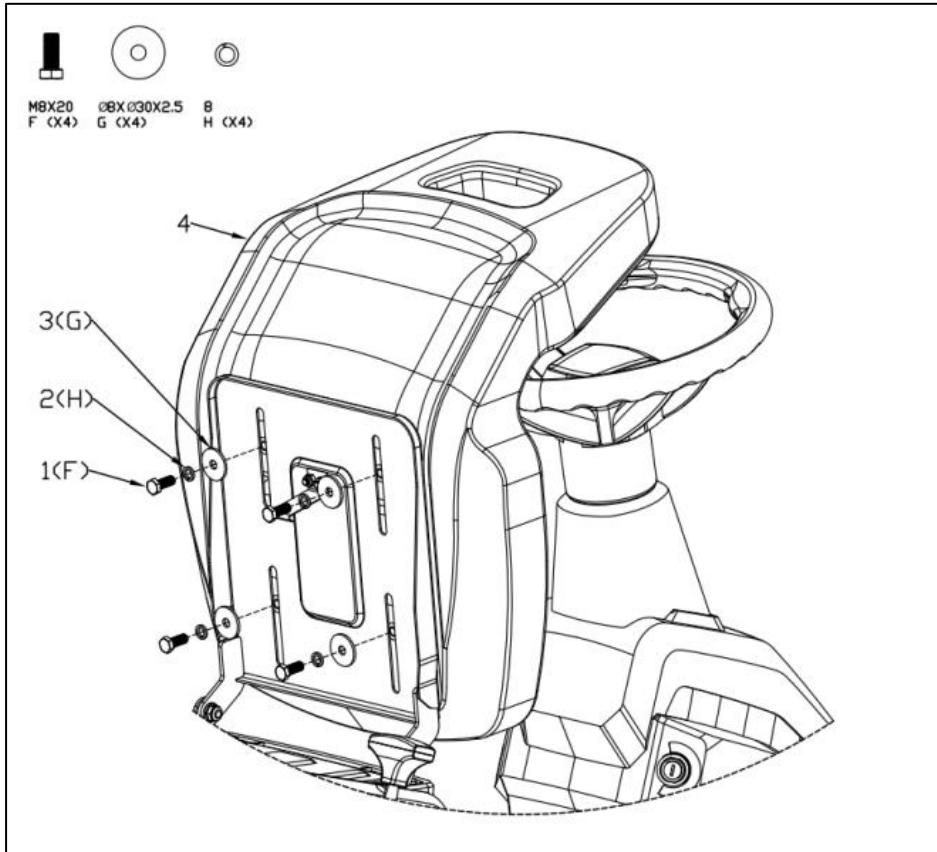
### 4.4 BUMPER INSTALLATION (OPTIONAL BUMPER)

Align the plate holes with the holes on the front of the machine and tighten them with the nut(M8) and bolt (M8x20).

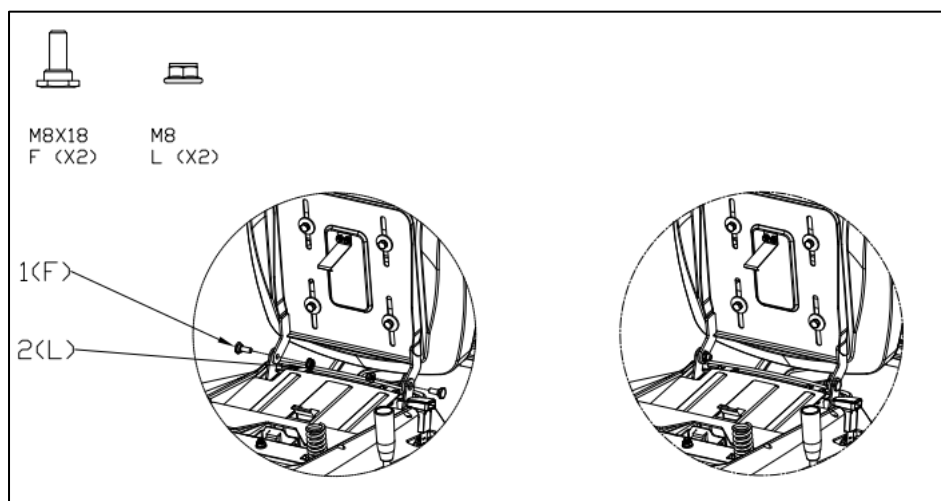


#### 4.5 SEAT INSTALLATION

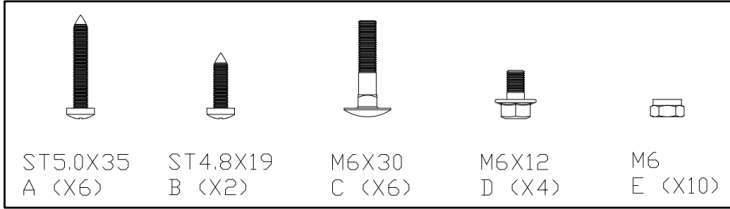
Align the holes on the seat with the holes on the fixing plate, secure the seat with bolt(M8x20) washers, as shown in below Figure.



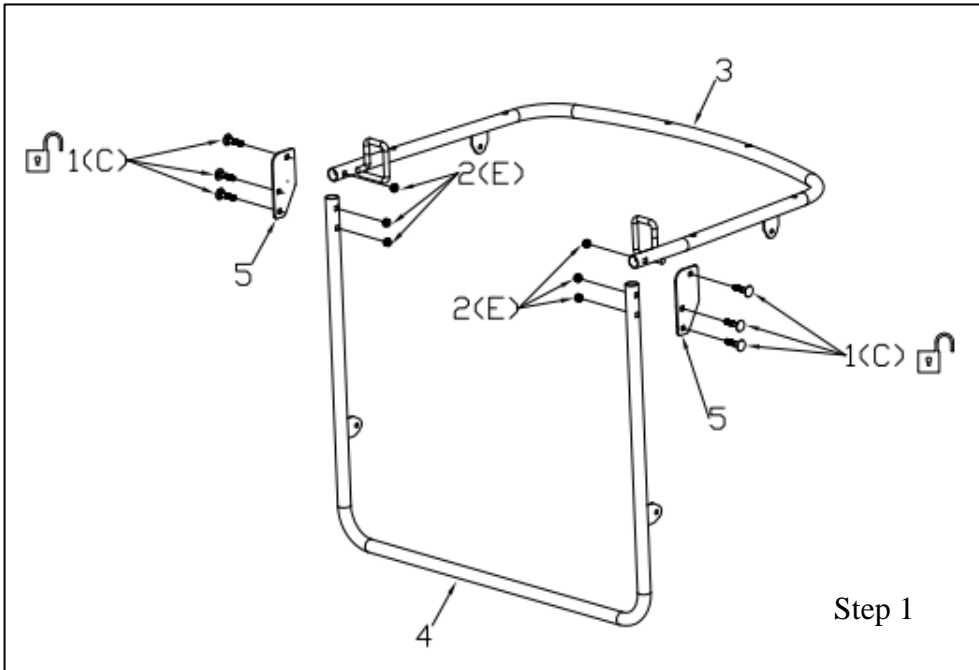
Fix the seat on the machine with bolt(M8x18) and nut(M8).



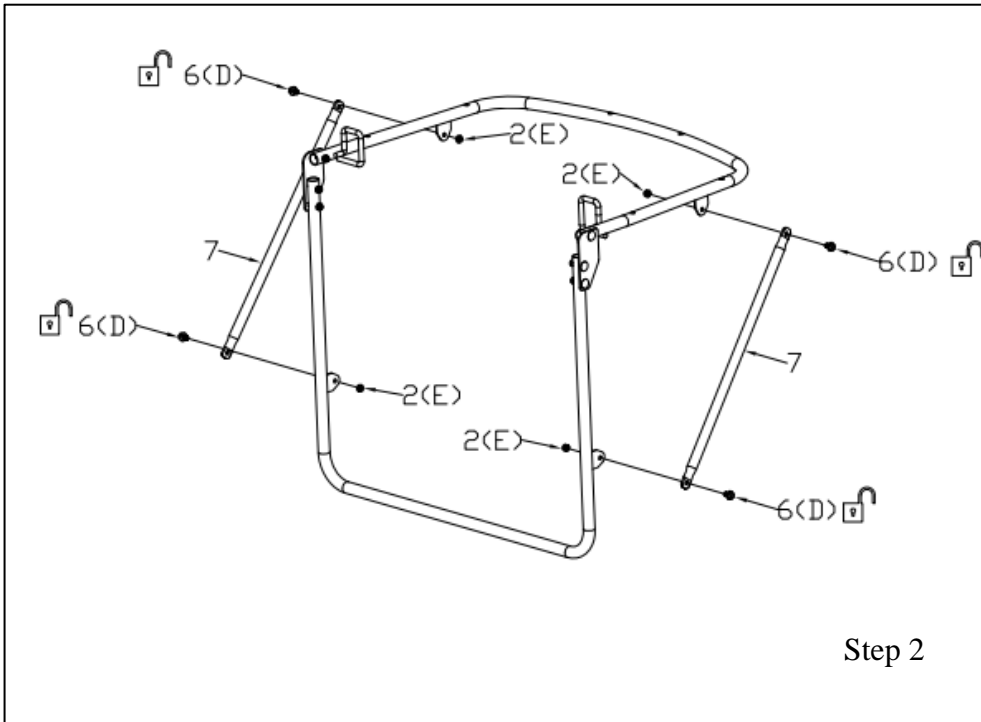
#### 4.6 GRASS CATCHER BAG ASSEMBLY



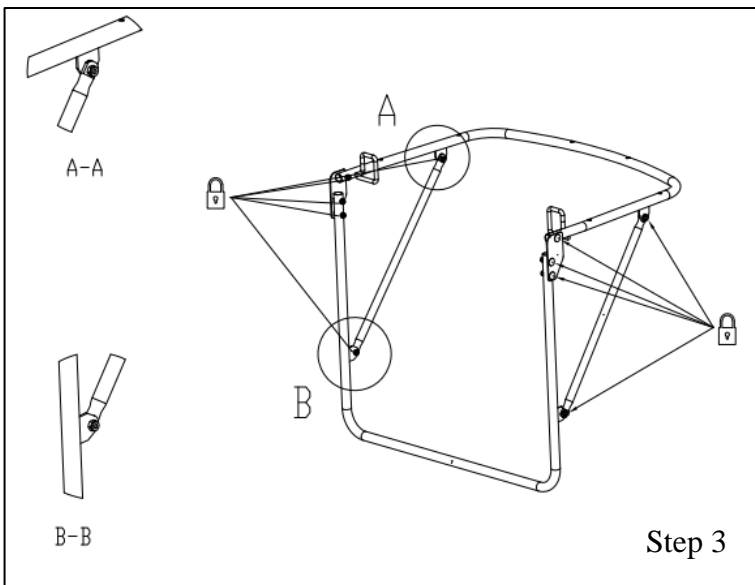
Combine the part 3 and part 4 by plate, use the bolt(M6x30) and nut(M6) to fix.



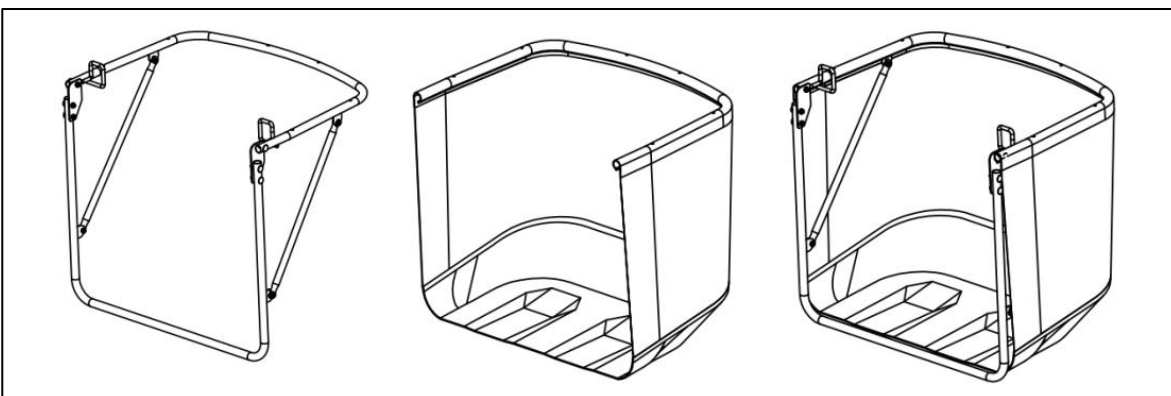
Combine the part 7 with bolt(M6x12) and nut(M6).



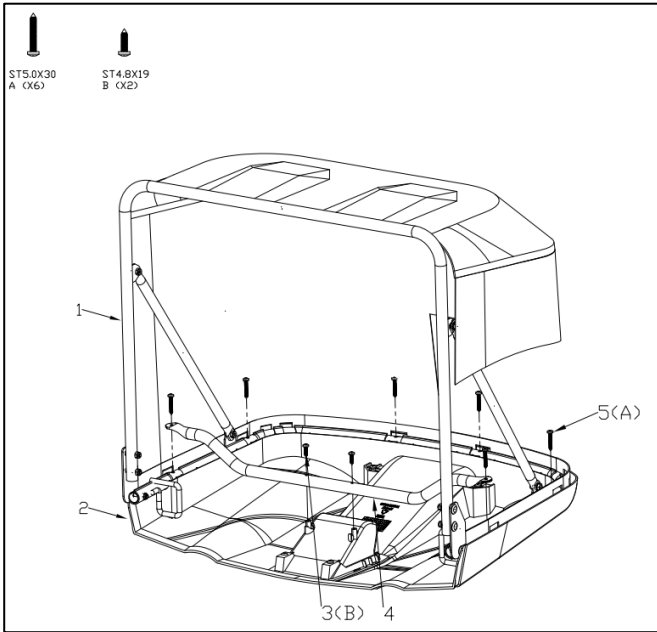
Lock the bolt and nut as shown on the below pic.



Combine the grass bag with the metal frame as shown in the below figure.

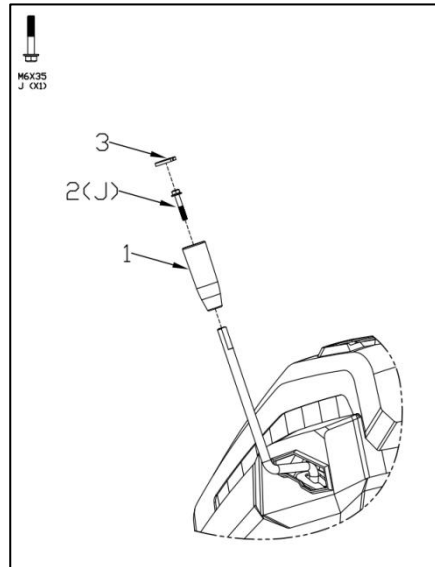
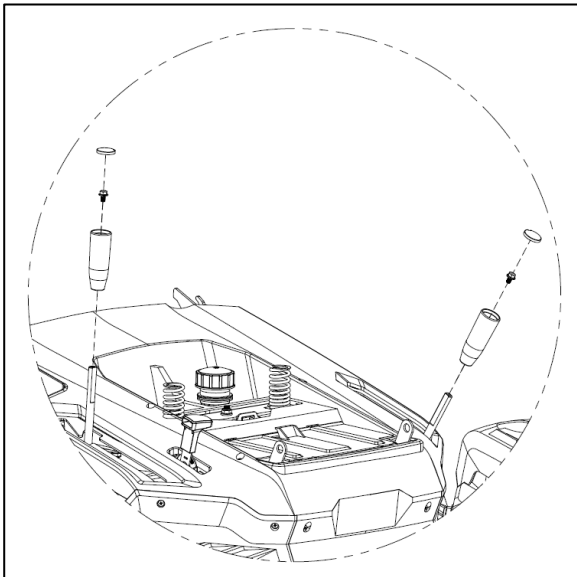


Combine the grass catcher and top cover by screw (ST5.0x30 and ST4.8x19)



#### 4.7 ASSEMBLY OF THE HANDLE INSTALLATION

Fix the handle by bolt(M6x35)

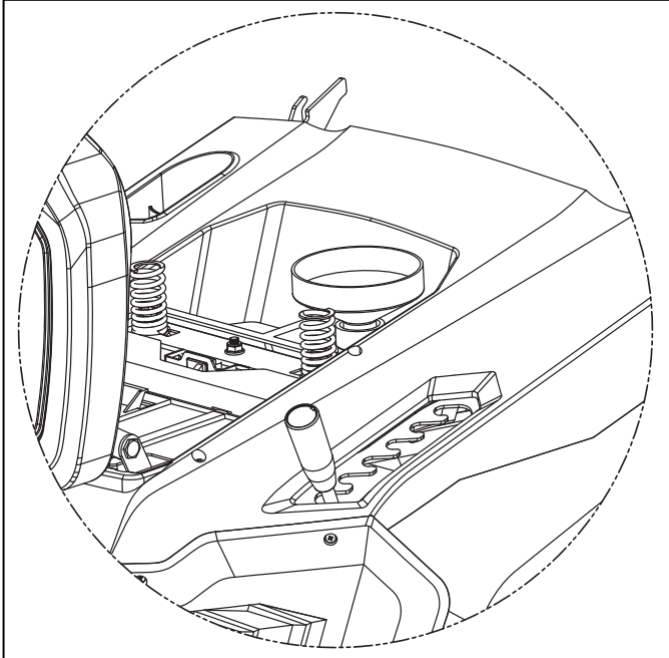




## 5. OPERATING THE RIDE-ON TRACTOR

### 5.1 PRELIMINARY OPERATIONS

#### 5.1.1 Filling with oil and fuel



#### **IMPORTANT**

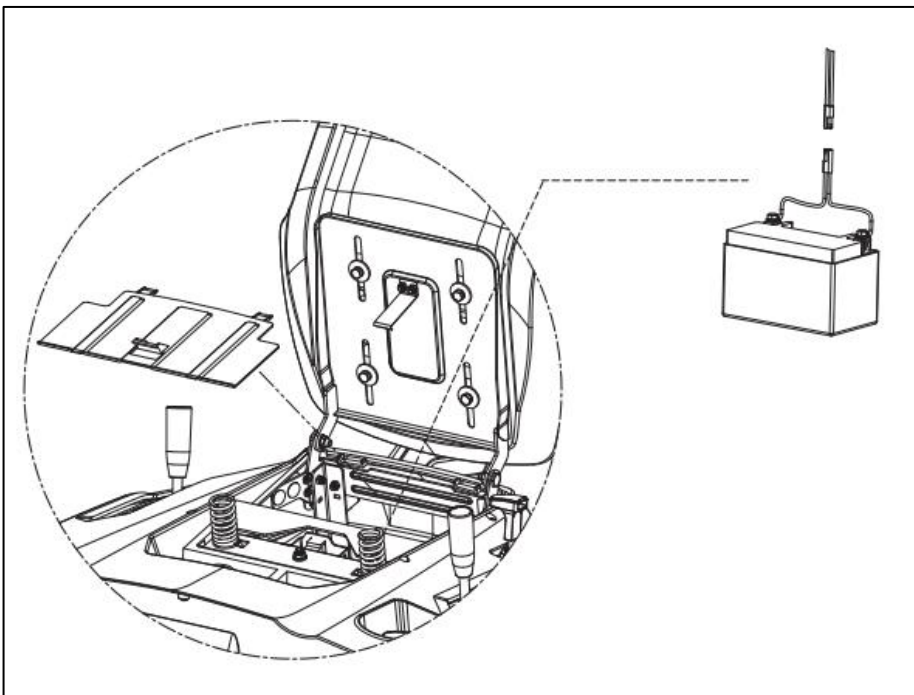
Check for fuel and oil level before using the machine. The correct oil and amount of oil must be used before starting the engine.

Permanent damage to the engine will be caused by the incorrect oil being used or the incorrect amount of oil.

#### 5.1.2 Seat adjustment

Adjust through the bolts at the bottom of the seat to select the most comfortable position.

#### 5.1.3 Battery cable connection

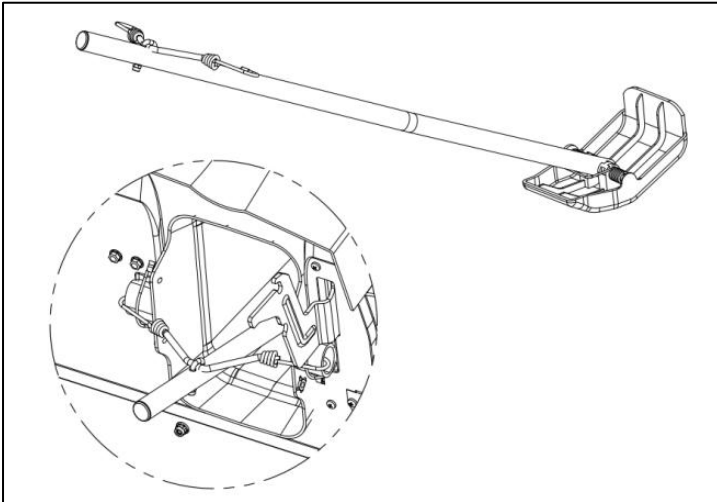


Connect the battery with the electric system like the pic shows below.

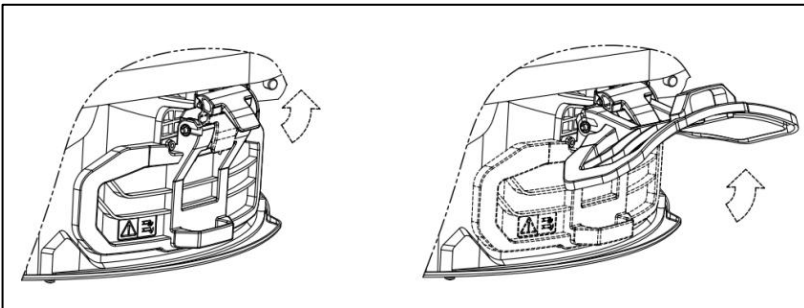
## 5.2 PREPARING THE MACHINE BEFORE STARTING WORK

The machine can be used to mow lawns in many different ways; Before you begin, prepare your machine according to how your lawn will be mowed.

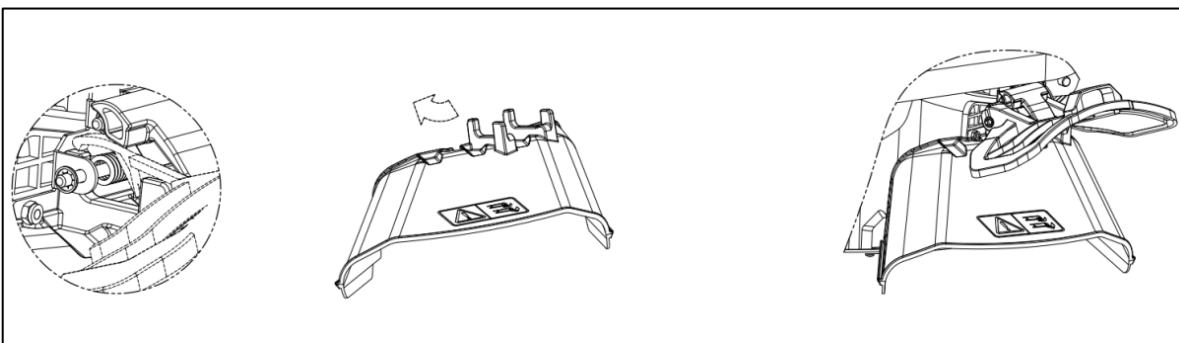
### 5.2.1 Preparation for grass mulching function

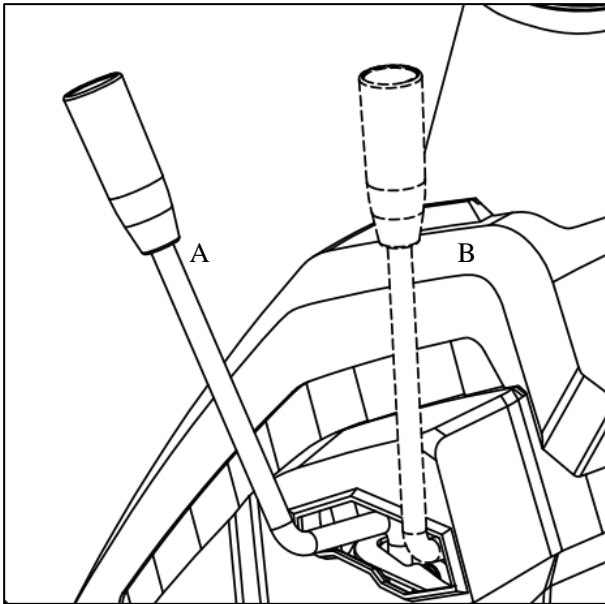


Install the mulching plug as shown on the below pic



Remove the side discharge piece. Fix the side discharge

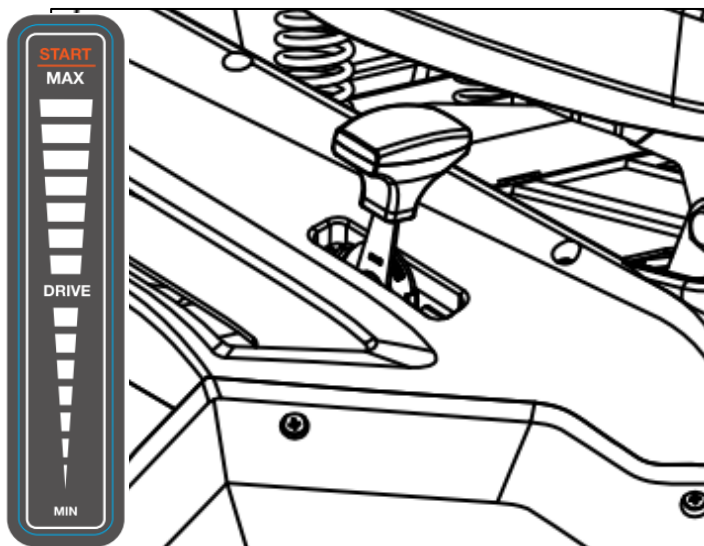
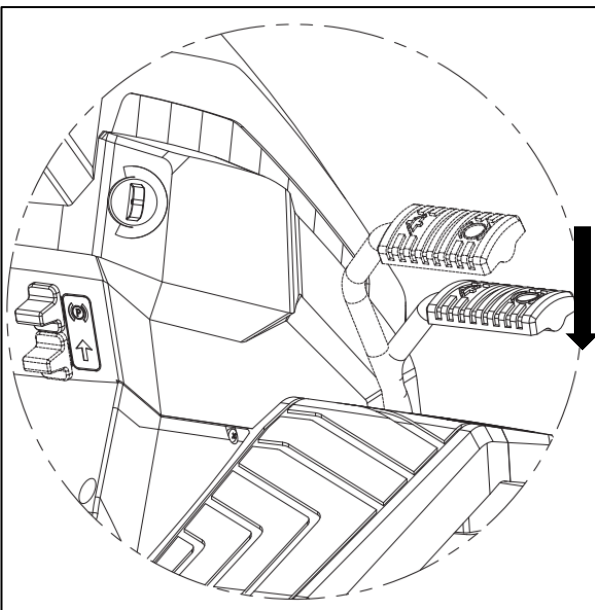




**START-UP**

- Sit on the ride-on seat.
- Then, move the blade clutch at the "A" position.

- engage the brake pedal

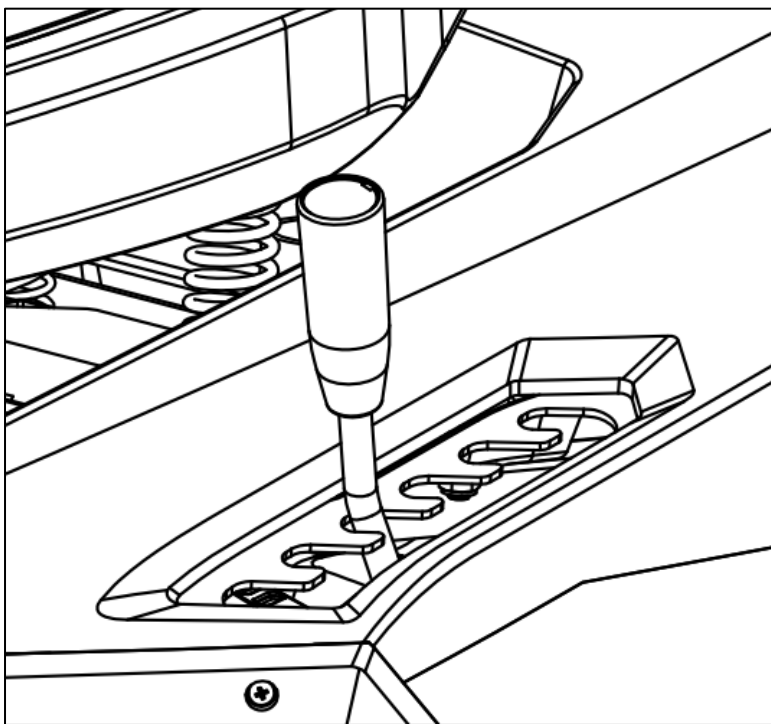
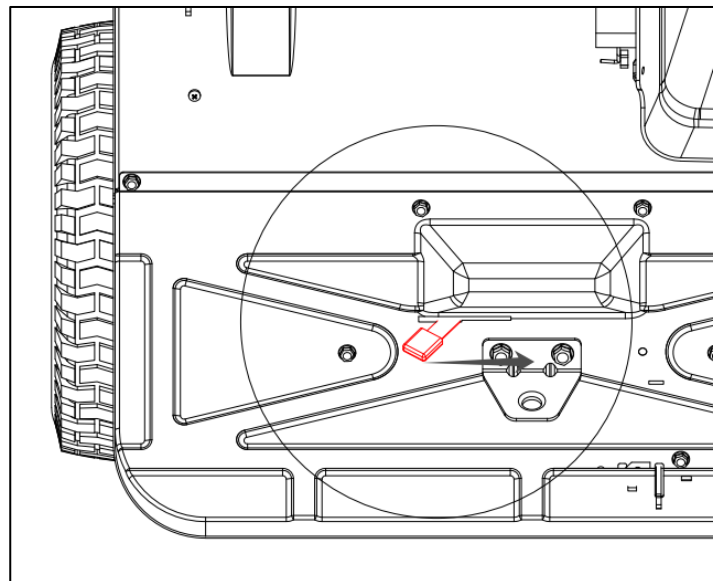


- Set the throttle speed to the "START" position.
- Insert the ignition key and turn it to "ON" for electrical contact, then turn it to "START", to start the engine.
- Release the ignition key after the engine starts.
- Once the engine is started, switch throttle control to the minimum speed position.

### 5.3 DRIVE WITHOUT CUTTING

- Adjust the cutting height to the highest position.
- Move the clutch handle to the halfway point between the drive speed positions.
- For the hydraulic type model, to control the speed with the foot pedal.

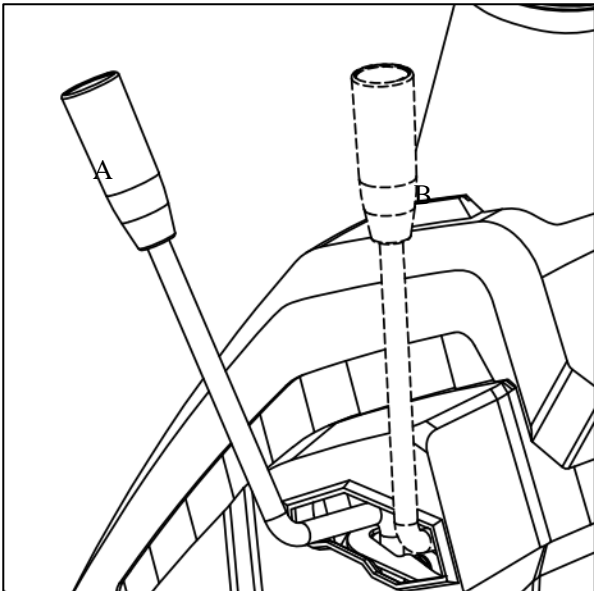
At the rear of the ride-on tractor is a lever that enables or disables the drive. Move the paddle to the right side. Disabling the drive allows the tractor to be pushed.



### 5.4 CUTTING

- Adjust the cutting height to the suitable position. The cutting height adjust from 30-75mm, position 1 to 6.

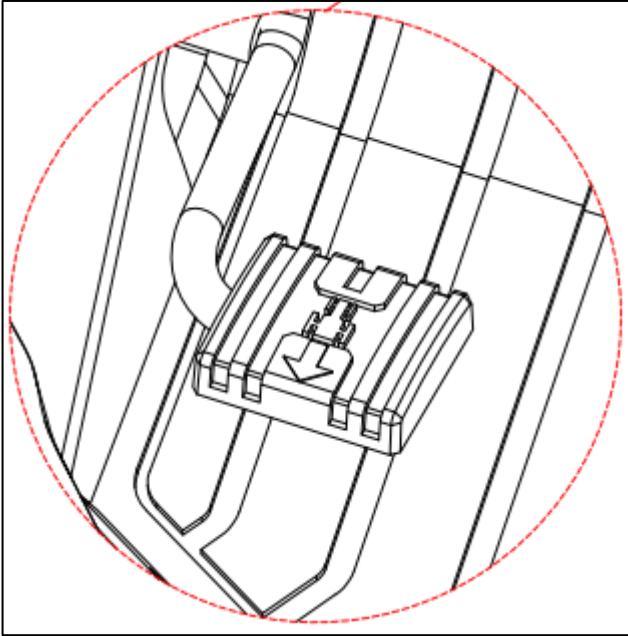
- 
- Switch throttle control to the "MAX" speed position.
  - Move the blade clutch at the OPEN "B" position. The grass bag must be installed in the right place.



---

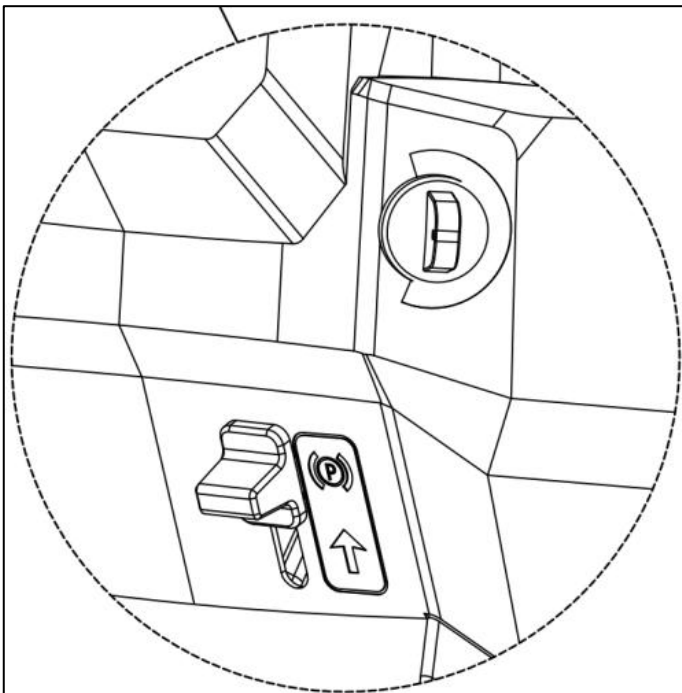
## 5.5 REVERSE CUT

- Press the brake pedal until the machine stops;
- Engage the blade clutch, moving the handle to the OPEN "B" position.
- Press the "REVERSE CUT" button when reverse cutting and press the back pedal.



## 5.6 BRAKE

- Press the brake pedal to reduce the speed until it stops the tractor.
- Select the blade clutch lever CLOSE "B" position.
- Engage the park brake button selecting the "P" position on the console whilst the foot brake is engaged, then release the foot brake pedal.



## 5.7 GRASS CATCHER EMPTYING

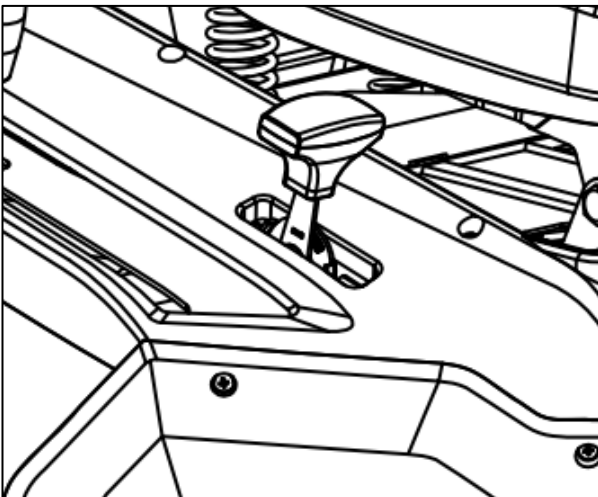
The grass catcher can only be emptied with the cutting blade disengaged; lifting the collector will stop the engine.

- Reduce engine speed;
- Engage the parking brake if on slopes
- Take hold of the rear lever and tip the grass collector to empty it.



## 5.8 STOP THE ENGINE

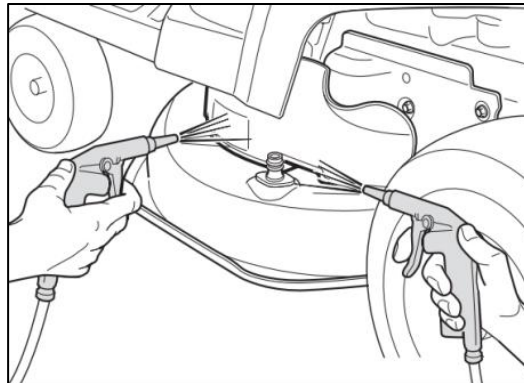
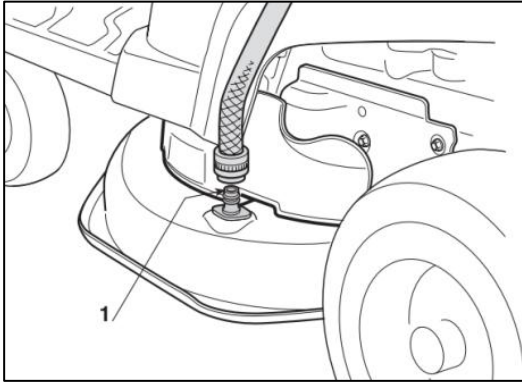
- Bring the throttle lever to minimum speed position.



- Disengage the blade by moving the blade clutch lever to the “CLOSE” position.
- Switch off the engine by turning the ignition key to Off.
- Remove the key.

## 5.9 AFTER USE

- Allow the engine to cool before storing in an enclosed space.
- Clean. Connect the water pipe with the water nozzle to clean the blade and deck.

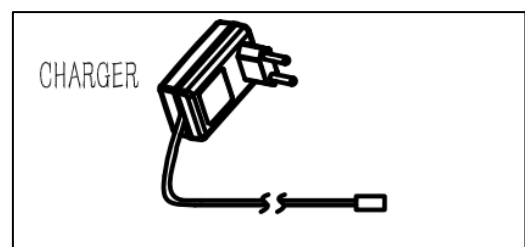
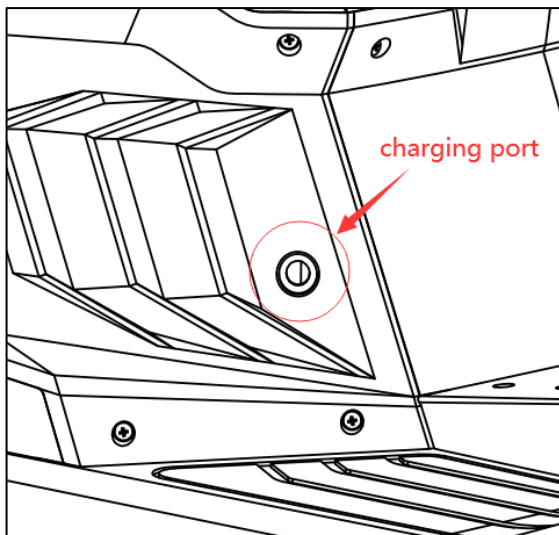


## 5.10 STORAGE OF THE BATTERY

The battery must always be stored dry and warm during the winter. Never expose it to low temperatures. Charge the battery completely before storing and then place the lawn rider in a place where it is not exposed to frost.

Alternatively cover the battery with a thick carpet or similar, If the rider is in a shed/garage where there may be cold. Charge the battery 1-2 times during the winter (at least every 3rd month) , charge the battery once per month at the normal operation time to make sure the battery keeps it full capacity. Incorrect storage can damage the battery and is not covered by warranty.

Use the correct charger for the battery. Charge the battery inserting the charger adapter into the charge port as shown below:





---

## 6. SAFETY SWITCH CONTROLS

The ride-on tractor safety features are designed to restrict the engine running. It is important to be aware of the safety conditions required for the engine to run.

**When starting ensure the following:**

- The operator must be seated on the ride-on seat.
- The blades should not be engaged.
- The brake should be fully engaged.
- The collector should be fitted.

**Once running, note the following safety features:**

- Leaving the ride-on seat will switch the engine off.
- Engaging reverse drive whilst the blades are running will cut the engine. Select the reverse cut lever before starting to reverse whilst the mowing blades are working.
- Collector must be fitted and in the normal position for collection, whilst the blades are engaged, otherwise the engine will cut out. Disengage the blades before tipping to avoid the engine cutting out.



The safety switch features must be tested before operating the mower. Do not use the ride-on tractor if any safety feature does not operate correctly. Contact your Cobra service centre for additional assistance.

## 7. TROUBLESHOOTING GUIDE

Difficult to start		
Problem	Cause	Solution
Generally difficult to start	Incorrect starting procedure	Following the starting instruction in the manual step by step.
The machine will not start when the electric start key is operated (or the starter "clicks" when attempting an electric start)	<ul style="list-style-type: none"> <li>• The safety switches are not being activated</li> <li>• The wires are not connected to battery. The brake cable is incorrectly adjusted.</li> <li>• The machine is standing in high grass.</li> <li>• Engine brake cable is too loose.</li> <li>• The choke is not in the correct position.</li> <li>• The petrol tank is empty.</li> <li>• The petrol is more than 3 months old and stale. Stored petrol deteriorates over time.</li> <li>• The grass discharge tube is full of grass.</li> <li>• A fuse is blown.</li> </ul>	<ul style="list-style-type: none"> <li>• Activate safety switches under the seat and collector bag.</li> <li>• Check that the wires are connected from the battery to the motor and start button.</li> <li>• Move the machine away from the high grass to start it. Set the height adjustment in the highest position, so that the blade can run freely.</li> <li>• Move the choke lever to a different position.</li> <li>• Check and fill fuel tank with petrol.</li> <li>• Empty the fuel tank and carburettor of old petrol, and fill with new petrol.</li> <li>• Remove grass from and around the connection plug</li> <li>• Check the fuse and replace it with a new one.</li> </ul>
No ignition spark (cannot start)	<ul style="list-style-type: none"> <li>• The spark plug cap is loose</li> <li>• The spark plug is damp or dirty</li> <li>• Incorrect gap between the spark plug and the electrode</li> <li>• The air filter is dirty or defective</li> </ul>	<ul style="list-style-type: none"> <li>• Check that the cap is firmly attached to the spark plug.</li> <li>• Check that there is no dirt on the spark plug.</li> <li>• Check and adjust the spark plug gap. Alternatively, replace the spark plug.</li> <li>• Check the air filter for dirt and clean it, or replace.</li> </ul>

<b>The rider starts, but runs unevenly</b>		
<b>Problem</b>	<b>Cause</b>	<b>Solution</b>
Insufficient engine revolutions or speed.	<ul style="list-style-type: none"> <li>• Lever is in the "Choke" position.</li> <li>• The throttle lever is set for "Turtle "</li> </ul>	<ul style="list-style-type: none"> <li>• Set the lever in the "Run" position.</li> <li>• Set the throttle lever for "Rabbit".</li> </ul>
The drive of the back wheels is limited and ineffective.	<ul style="list-style-type: none"> <li>• The drive belt is torn or has fallen off</li> <li>• Gearbox is defective</li> </ul>	<ul style="list-style-type: none"> <li>• Replace belt</li> <li>• Replace the gearbox</li> </ul>
The engine runs irregularly and/or its performance becomes poor as you are working.	<ul style="list-style-type: none"> <li>• The spark plug cap is loose</li> <li>• The spark plug is dirty</li> <li>• Incorrect gap between the spark plug and the electrode.</li> <li>• The air filter is dirty or defective.</li> <li>• Evaporation of fuel in the carburettor.</li> <li>• Loose throttle cable.</li> <li>• Dirt in the carburettor.</li> </ul>	<ul style="list-style-type: none"> <li>• Check that the cap is firmly attached to the spark plug.</li> <li>• Check that the spark plug is clean and not damaged.</li> <li>• Check and adjust the spark plug gap.</li> <li>• Check the air filter for dirt and clean it.</li> <li>• Wait a few minutes, and then try to start again.</li> <li>• Tighten the throttle cable.</li> <li>• Clean the carburettor.</li> </ul>

---

## 8. WARRANTY

This product is warranted in accordance with legal regulations for a 24 month period effective from the date of purchase by the first user. A further 36 months limited warranty is available subject registration, reasonable homeowner use and annual servicing by an approved Cobra dealer and the conditions outlined below. The Cobra dealer will require evidence that the annual services were completed through-out the period of ownership for the warranty to be extended.

This product will not be covered if used in a commercial application.

This warranty covers all material or production failures, it does not include: defects from normal wear and tear, parts such as, bearings, brushes, cables, air cleaning elements, brake pad, clutch disc, tyre, wheel, recoil starter rope, belts, cutter blades, blade bosses, plugs, lubricant oils and grease or accessories. Damage or defects resulting from abuse, accidents or alterations, natural fading of painted or plated surfaces, sheet peeling and other natural deterioration.

Any damage that occurs from the use of non-genuine Cobra parts will not be covered.

We reserve the right to reject any claim where the purchase cannot be verified or when it is clear that the product was not maintained properly. (Clean ventilation slots, carbon brushes and serviced regularly)

Expenses incidental to the warranty claim that are not covered;

- Compensation for loss of time, commercial loss or rental costs of substitute product.
- Costs incurred for transportation to and from the dealership.

Any damage that occurs from the following will not be covered; exposure of the product to smoke and soot, chemical agents, bird droppings or other animal waste, seawater, sea breeze, salt or other environmental phenomena.


Any damage resulting from operating methods other than those indicated in the owner's manual will not be covered.

Your purchase receipt must be kept as proof for date of purchase. Your un-dismantled tractor must be returned to your dealer in an acceptably clean state, accompanied by your proof of purchase.

### **Please Register Your Tractor**

If your dealer did not collect registration information from you, please take a few minutes and register your purchase with Cobra. You can register by completing and mailing the registration card that should be in the box or by going online to: [www.cobragarden.co.uk](http://www.cobragarden.co.uk) and clicking on Product Registration.

## 9. EC-DECLARATION OF CONFORMITY

<b>EC Declaration of Conformity</b>	
We herewith declare,	Cobra Garden Machinery Henton & Chattell Ltd, London Road, Nottingham NG2 3HW UK
That the following machine complies with the appropriate basic safety and health requirements of the EC Directive based on its design and type, as brought into circulation by us.	
In case of alteration of the machine, not agreed upon by us, this declaration will lose its validity	
Product	Ride-on lawnmower for mowing garden lawns
Machine Type:	LTX66HRL (T66)
Rated power	4.5kW at 2,800 min <sup>-1</sup>
Measured sound power level:	95.6 dB(A) K <sub>WA</sub> : 2.13 dB(A)
Guaranteed sound power level:	98 dB(A) Notified Body for EC Directive 2000/14/EC:0359 TÜV SÜD Certification and Testing (China) Co., Ltd. Ningbo Branch Building 2, 1&9/F. of Building 1, Essence Adream of Space II, No.350, Jinghua Road, National Hi-Tech Industrial Development Zone Ningbo Zhejiang China
Applicable EC Directives:	2014/30/EU 2006/42/EC 2000/14/EC 2011/65/EU 2016/1628/EU
Commission Delegated Regulation	2017/654 amended by (EU) 2018/989 2017/655 amended by (EU) 2018/987 2017/656 amended by (EU) 2018/988
Applicable Harmonized Standards:	EN ISO 5395-1:2013+A1, EN ISO 5395-3:2013+A1+A2
Technical standards/ specifications :	EN ISO 12100:2010, EN ISO 14982:2009
Authorized Signature/Date:	  23/11/2024
Title of Signatory:	Managing Director
Name and address of the person authorised to compile the technical file	Cobra Garden Machinery Henton & Chattell Ltd, London Road, Nottingham NG2 3HW UK